

2/2 WAY PISTON VALVE G 1/2" ÷ 3/4"; STAINLESS STEEL

TECHNICAL SPECIFICATIONS

Media: water, oil, air, aggressive media and steam ⁽¹⁾
Media temperature: -10°C ... +180°C
Ambient temperature: -10°C ... +60°C
Pilot media: air, inert gases, water
Body material: cast AISI 316L (ASME SA351/351M GRADE CF3M)
Bonnet material: cast AISI 316L (ASME SA351/351M GRADE CF3M)
Actuator body material: Polyamide PA6 (reinforced fiberglass 30%)
Seal material: PTFE
Position indicator as standard

TYPE: COMPACT 45



BENEFITS

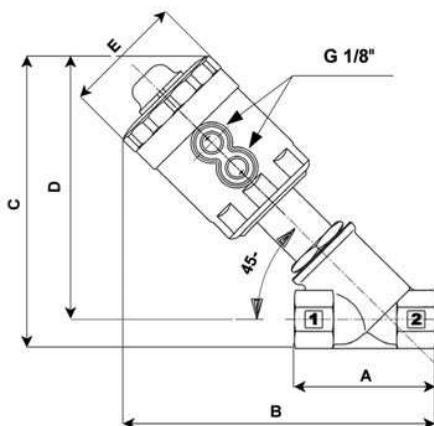
Waterhammer-free design for BPG type (2 → 1)
Actuator housing rotation 360°
Design suitable for vacuum applications up to 10 ⁻² mbar

OPTIONS

NPT connection (ex. code PN205CTW00)
Weld ends see page 16

SELECTION TABLE	VALVES	connection	DN orifice	Flow rate Kvs	Working pressure ⁽¹⁾		Flow direction	Pilot pressure ⁽²⁾		Function
	Code	(ISO 228 G)	(mm)	(l/min)	min (bar)	max (bar)		min (bar)	max (bar)	
	PG205CTW00	1/2"	15	75	0	16	1 → 2	3.8	10	normally closed
PG206CTX00	3/4"	20	133	0	16	1 → 2	5.8	10	normally closed	
BPG205CTW00	1/2"	15	75	0	16 / 16	1 → 2 2 → 1	6.2 / 5	10	normally closed	
BPG206CTX00	3/4"	20	133	0	16 / 7	1 → 2 2 → 1	8.7 / 5	10	normally closed	
RPG205CTW00	1/2"	15	75	0	16	2 → 1	4	10	normally open	
RPG206CTX00	3/4"	20	133	0	16	2 → 1	6.2	10	normally open	
DPG205CTW00	1/2"	15	75	0	16 / 16	1 → 2 2 → 1	3	10	double acting	
DPG206CTX00	3/4"	20	133	0	16 / 16	1 → 2 2 → 1	5	10	double acting	

(1) Steam: Max. working pressure 10 bar (9 barg); - (2) Minimum pilot pressure at max. working pressure; for lower working pressure see selection charts;



VERSIONS

	NC normally close, over seat flow (1 → 2)
	NC normally closed, bidirectional (1 ↔ 2)
	NO normally open, under seat flow (2 → 1)
	DOUBLE ACTING, bidirectional (1 ↔ 2)

DIMENSIONS & WEIGHTS

Connection	Actuator ø	A	B	C	D	E	weight
(ISO 228 G)	(mm)	(mm)	(mm)	(mm)	(mm)	(mm)	(kg)
1/2"	45	65	144	136	123	57	0.8
3/4"	45	75	155	142	126	57	0.9